

Research article

Open Access

## The WRKY transcription factor superfamily: its origin in eukaryotes and expansion in plants

Yuanji Zhang\* and Liangjiang Wang

Address: Plant Biology Division, The Samuel Roberts Noble Foundation, Ardmore, OK 73402, USA

Email: Yuanji Zhang\* - yjzhang@noble.org; Liangjiang Wang - Kevinlwang@aol.com

\* Corresponding author

Published: 03 January 2005

Received: 14 September 2004

BMC Evolutionary Biology 2005, 5:1 doi:10.1186/1471-2148-5-1

Accepted: 03 January 2005

This article is available from: <http://www.biomedcentral.com/1471-2148/5/1>

© 2005 Zhang and Wang; licensee BioMed Central Ltd.

This is an Open Access article distributed under the terms of the Creative Commons Attribution License (<http://creativecommons.org/licenses/by/2.0>), which permits unrestricted use, distribution, and reproduction in any medium, provided the original work is properly cited.

### Abstract

**Background:** WRKY proteins are newly identified transcription factors involved in many plant processes including plant responses to biotic and abiotic stresses. To date, genes encoding WRKY proteins have been identified only from plants. Comprehensive search for WRKY genes in non-plant organisms and phylogenetic analysis would provide invaluable information about the origin and expansion of the WRKY family.

**Results:** We searched all publicly available sequence data for WRKY genes. A single copy of the WRKY gene encoding two WRKY domains was identified from *Giardia lamblia*, a primitive eukaryote, *Dictyostelium discoideum*, a slime mold closely related to the lineage of animals and fungi, and the green alga *Chlamydomonas reinhardtii*, an early branching of plants. This ancestral WRKY gene seems to have duplicated many times during the evolution of plants, resulting in a large family in evolutionarily advanced flowering plants. In rice, the WRKY gene family consists of over 100 members. Analyses suggest that the C-terminal domain of the two-WRKY-domain encoding gene appears to be the ancestor of the single-WRKY-domain encoding genes, and that the WRKY domains may be phylogenetically classified into five groups. We propose a model to explain the WRKY family's origin in eukaryotes and expansion in plants.

**Conclusions:** WRKY genes seem to have originated in early eukaryotes and greatly expanded in plants. The elucidation of the evolution and duplicative expansion of the WRKY genes should provide valuable information on their functions.

### Background

Transcriptional control is a major mechanism whereby a cell or organism regulates its gene expression. Sequence-specific DNA-binding transcription regulators, one class of transcription factors [1], play an essential role in modulating the rate of transcription of specific target genes. In this way, they direct the temporal and spatial expressions necessary for normal development and proper response to physiological or environmental stimuli. Comparative genome analysis reveals that genes for transcription regu-

lators are abundantly present in plant and animal genomes, and the evolution and diversity of eukaryotes seem to be related to the expansion of lineage-specific transcription regulator families [2].

WRKY proteins are recently identified transcriptional regulators comprising a large gene family [3]. The first cDNA encoding a WRKY protein, SPF1, was cloned from sweet potato (*Ipomoea batatas*) [4]. Numerous genes for WRKY proteins have since been experimentally identified from

more than 10 other plant species, including *Arabidopsis thaliana* [5,6], wild oats (*Avena fatua*) [7], orchardgrass (*Dactylis glomerata*) [8], barley (*Hordeum vulgare*) [9], tobacco (*Nicotiana tabacum*) [10-13], chamomile (*Matricaria chamomilla*) [14], rice (*Oryza sativa*) [9,15], parsley (*Petroselinum crispum*) [16,17], a desert legume (*Retama raetam*) [18], sugarcane (*Saccharum* hybrid cultivar) [19], bittersweet nightshade (*Solanum dulcamara*) [20], potato (*Solanum tuberosum*) [21,22], and wheat (*Triticum aestivum*) [9]. In addition, over 70 WRKY genes were identified in the *Arabidopsis* genome by sequence similarity comparisons [2,23]. To date, WRKY genes have not been cloned from species other than plants. The absence of WRKY homologues in the genomes of animals (*Caenorhabditis elegans* and *Drosophila melanogaster*) and yeast (*Saccharomyces cerevisiae*) [2] leads to the suggestion that WRKY transcription regulators are restricted to the plant kingdom [2,3]. As genome sequence data for species representing several major eukaryotic lineages are now available, we can re-examine whether WRKY genes are plant-specific or have ancestors predating the appearance of plants.

The WRKY family proteins contain one or two highly conserved WRKY domains characterized by the hallmark heptapeptide WRKYGQK and a zinc-finger structure distinct from other known zinc-finger motifs [3]. To regulate gene expression, the WRKY domain binds to the W box in the promoter of the target gene to modulate transcription [5,7,16,24]. In addition to the W box, a recent study indicates that the WRKY domain can also bind to SURE, a sugar responsive *cis* element, as a transcription activator [9].

In plants, many WRKY proteins are involved in the defense against attack from pathogenic bacteria [6,22,23,25-27], fungi [26], viruses [12,26,28], and oomycetes [21,26,29]. Further, WRKY genes are implicated in responses to the abiotic stresses of wounding [11,30], the combination of drought and heat [31], and cold [18,20]. It is also evident that some members of the family may play important regulatory roles in morphogenesis of trichomes [32] and embryos [8], senescence [26,33-35], dormancy [18], plant growth [27], and metabolic pathways [7,9,32,36].

Based on the number of WRKY domains and the pattern of the zinc-finger motif, Eulgem et al. [3] classified members of the WRKY superfamily from the *Arabidopsis* genome into three groups. Members of Group 1 typically contain two WRKY domains, while most proteins with one WRKY domain belong to Group 2. Group 3 proteins also have a single WRKY domain, but the pattern of the zinc-finger motif is unique. Eulgem et al. [3] further

divided Group 2 into five subgroups, according to the phylogenetic analysis of the WRKY domains.

Given the large family of WRKY genes with divergent regulatory functions in important plant processes, it would be desirable to understand the evolutionary origin and gene duplications leading to the multi-member WRKY family. The clarification of the phylogenetic relationships among WRKY genes in model plants will also assist understanding of the functions of these genes in important crops. We have comprehensively searched all currently available sequence data for the existence of WRKY genes outside the plant kingdom. Homologues of WRKY genes are found from two eukaryotic species: *Giardia lamblia*, a primitive protozoan, and *Dictyostelium discoideum*, a slime mold. The data indicate an early origin of WRKY genes in eukaryota and tremendous gene amplifications in the plant lineage. We then cataloged the WRKY genes from the rice genome and compared them with *Arabidopsis* WRKY genes. We also identified WRKY genes from expressed sequence tags (ESTs) and EST-assembled sequence contigs from nineteen plant species. The result suggests that WRKY gene duplication events correlate with the increasing structural and functional complexities in land plants. We propose a model for the evolution of WRKY genes.

## Results

### WRKY genes in non-plant eukaryotes

We searched for WRKY genes in two comprehensive datasets, GenBank's non-redundant (nr) and dbEST of all species. Together these datasets contain over 13 million sequence records from more than 110,000 organisms [37]. Homologues of WRKY proteins are not found in the superkingdoms of archaea and eubacteria. In eukaryotes, no WRKY genes are identified from the lineages of fungi and animals.

Interestingly, two WRKY homologues were identified from non-plant eukaryotic species, and both have two WRKY domains [see Additional files 1 and 2]. The first protein (GenBank accession: EAA40901) is encoded by an intronless gene in the draft genome sequence of *Giardia lamblia* [38]. The unicellular protist *Giardia* is one of the most primitive organisms that represent the earliest branching among extant eukaryotes [39,40]. The second (accession AAO52331) is encoded by the genomic sequence of chromosome 2 of the slime mold *Dictyostelium discoideum* [41]. The genomic sequence for the WRKY domains were assembled from sequences generated from three libraries prepared by two groups [42], indicating that it is not from sequence contamination. The gene contains an intron, which interrupts the coding region between the two WRKY domains. For this species, about 150,000 EST sequences are currently available in

GenBank. One EST (accession AU033476) aligns to the WRKY gene, indicating that the gene is expressed. *D. discoideum* belongs to the Mycetozoa, a lineage more closely related to animals and fungi than to green plants [41,43].

#### **A WRKY gene in a green alga**

*Chlamydomonas reinhardtii* is a unicellular green alga with a cell wall. It also has chloroplasts for photosynthesis. The evolutionary position of the species is located before the divergence of land plants [44,45]. The release 1.0 of its genome sequence has approximately 9 × whole genome shotgun coverage [46]. Since the gene annotation for the release is still at a preliminary stage, we predicted WRKY genes from the genome sequence (see Methods). The sequence similarity search between the genome sequence and Pfam's WRKY domain sequences indicated that the sequence 'Scaffold\_1387' may encode WRKY domains. This sequence was then used for further WRKY domain and gene predictions. Despite minor differences in the gene structure prediction, both gene prediction programs FGENESH and GENSCAN agree on the major features of the protein, including the presence of two WRKY domains [see Additional files 1 and 2]. Moreover, the predicted peptide sequence of the WRKY domains is identical among all the gene and domain predictions. Sequence alignment by blastn indicates that six ESTs are from the predicted coding regions of the gene; the GenBank accessions for these ESTs are BI727288, AW772895, BM000804, BG846749, BE121978 and BQ821537.

#### **A catalog of WRKY genes in rice**

Rice, one of the most important crops for world agriculture, is recognized as a model monocot for the study of cereal crop genomes. A comprehensive catalog of rice WRKY genes would provide a basis for investigating the evolutionary patterns of the gene family and for transferring knowledge of the functions of these transcription factors from Arabidopsis to rice and from rice to other cereal crops.

We identified the members of the WRKY family in rice (Japonica variety) from its published genome sequence [47]. The WRKY gene identification procedure employed in this study (see Methods) was first tested with the Arabidopsis genome sequence. The procedure successfully identified all reported Arabidopsis WRKY genes [3,23]. The rice genome seems to encode 109 WRKY proteins, four of which have incomplete WRKY domains. The remaining 105 proteins with complete WRKY domains, listed in Additional file 3, were used for further analysis. The multiple sequence alignment of WRKY domains from rice, Arabidopsis, the green alga, the slime mold and *Giardia lamblia*, and the conserved WRKY domain patterns can be found in Additional file 2. Some rice genes encode identical WRKY domains. For example, OsWRKY34 and

OsWRKY57 share identical amino acid sequences in the WRKY domains, but the nucleotide sequences for the domains are not identical and they are located in different chromosomes (1 and 4, respectively), indicating that they are distinct genes. Similarly, OsWRKY8 located in Chromosome 6 and OsWRKY76 located in Chromosome 2 also represent two genes. The following genes in parenthesis share the identical WRKY domains and have a high identity of the corresponding coding nucleotide sequences: (OsWRKY9, 101), (12, 98 and 99), (21, 97), (29, 96), (39, 105), (51, 103), (73, 104), (80, 102), and (82, 100). These highly similar genes may represent newly duplicated paralogues. The 105 genes are unevenly distributed in the 12 chromosomes, ranging from 25 genes (the highest number) in Chromosome 1 to two genes (the lowest) in Chromosome 10. Sequence alignment indicates that 60 WRKY genes have one or more matched rice ESTs from the dbEST database (data not shown). Out of the 105 proteins, 13 have two WRKY domains. We assigned the WRKY domains into subfamilies using phylogenetic analysis with already classified AtWRKY genes from *A. thaliana* [3] as the reference. Eleven proteins with two WRKY domains are assigned to Group 1 because their C-terminal domains belong to this group. Since the N- and C-terminal domains form distinct clusters, we designated the two domains as 1N and 1C, respectively. Six proteins with a single domain also belonged to Group 1. While OsWRKY15, 16, 73 and 104 have a single domain homologous to Group 1N, OsWRKY13 and 91 contain a single Group 1C domain. Interestingly, both N- and C-domains of the other two double-domain-containing proteins (OsWRKY66 and 67) are always clustered with Group 3 domains. Thirty-five single WRKY domain proteins are also assigned to this group. All together, there are 39 domains or 37 proteins in Group 3. We assigned 49 proteins to three new groups, Group 2\_a + 2\_b (13), Group 2\_c (18), and Group 2\_d + 2\_e (18). These new groups are reorganized from the five subgroups IIa through IIe in Eulgem et al. [3] (see details of the classification in Discussion). Domains of OsWRKY 25 and 95 cannot be consistently classified and therefore remain unassigned [see Additional file 3].

Interestingly, several variant patterns of the WRKY domains exist in the rice WRKY proteins. Although the WRKYGQK peptide is highly conserved, nine variants with one or two amino acids substituted are observed in 19 domains, most of which belong to Groups 3 and 2\_c (Table 1). While WRKYGEK and WRKYGKK are two common variants shared by seven (all in Group 3) and five (all in Group 2\_c) domains, respectively, each of the other seven different heptapeptides occurs in only one protein. The WRKY domains also contain patterns of zinc-finger motifs that have not been reported in the literature (Table 1). No variants are found in domains of Groups 1C and

**Table 1: Variants of the conserved WRKYGQK peptide and zinc-finger motifs in rice WRKY domains**

Pattern	Domain	Group	Available ESTs	
			ID <sup>a</sup>	Encoding the domain
<i>Variants of WRKYGQK</i>				
WRKYGEK	OsWRKY7	3		
	OsWRKY8	3	CA755335	Yes
	OsWRKY65	3		
	OsWRKY72	3	CF282152, CF330819, CF303772, CF282153, CF330818, CF305084, CF328161	Yes
	OsWRKY76	3	CA755335	
	OsWRKY77	3		Yes
	OsWRKY94	3		
WRKYGKK	OsWRKY20	2_c		
	OsWRKY27	2_c		
	OsWRKY36	2_c	D43156	No
	OsWRKY46	2_c	TC154521, AU093050	No
	OsWRKY63	2_c	TC143003, BE230596, BM419201	Yes
WRICGQK	OsWRKY15	1N		
WRMCGQK	OsWRKY16	1N		
WKYGGQK	OsWRKY25	unassigned	AU162739	Yes
WIKYGQK	OsWRKY55	3		
WKRYGQK	OsWRKY66C	3	AW155482	No
WSKYEQK	OsWRKY67N	3	CA760141	No
WRKYSEK	OsWRKY92	3		
<i>Variants of zinc-finger motifs</i>				
C_X5_C_X25_H_X2_C	OsWRKY6	2_d + 2_e		
C_X8_C_X25_H_X1_C	OsWRKY67N	3	CA760141	No
C_X6_C_X28_H_X1_C	OsWRKY68	3	TC103502	Yes

<sup>a</sup>TIGR's TCs or GenBank's accessions.

2\_a + 2\_b. The WRKY genes encoding the variant domain patterns might be functional, because 10 genes with a total of seven heptapeptide variants and two zinc-finger motif variants have sequenced ESTs, although the DNA binding capacity may be reduced [48]. Furthermore, ESTs have been sequenced from the gene regions for the variants of WRKYGEK, WRKYGKK, WKYGGQK and C\_X6\_C\_X28\_H\_X1\_C, indicating that these patterns are not artifacts of the gene prediction (Table 1).

**Survey of WRKY genes in land plants**

Since the genomes of rice and Arabidopsis have numerous WRKY genes whereas the green alga may have only a single copy, it would be interesting to investigate the gene duplication events of WRKY family during the course of evolution from unicellular plant organisms to flowering plants and the relationship between expansion of the WRKY family and the increased structural and functional complexities of the higher plants. Ideally, the complete set of WRKY genes should be identified from species representing different branches on the evolutionary tree of

plants for further analysis. Unfortunately, genome sequence is currently not available for most plant species. However, a large number of EST sequences for many plants are publicly available and can be used to roughly estimate the minimum number of WRKY genes in these species.

We first surveyed GenBank's dbEST set and found that WRKY genes are widespread in land plants, as over 40 species have expressed WRKY genes (data not shown). We then estimated the number of unique WRKY genes for 17 species using their Gene Indices, which are assembled EST sequence contigs with the minimal redundancy, provided by The Institute for Genomic Research (TIGR) [49]. The analysis also included ESTs for the moss *Physcomitrella patens* and the fern *Ceratopteris richardii* whose Gene Indices are not available [see Additional file 4]. For the EST set, redundant ESTs for WRKY proteins were manually removed. Together these 19 species represent different branches on the evolutionary tree of the land plants. While the moss *Physcomitrella* is an early diverged land

plant, the fern is an ancient vascular plant. The conifer *Pinus* represents the gymnosperm lineage, and the remaining are the evolutionarily more advanced flowering plants [50].

ESTs encoding WRKY proteins were identified in all the 19 species. Moreover, multiple WRKY genes are represented in the EST or contig sets for most plants including the moss and pine, with the most WRKY genes (109) from soybean [see Additional file 4]. Although the actual number of WRKY genes encoded in a plant genome can only be known using the genome sequence, EST datasets are useful to estimate the relative size of WRKY family in plant species whose genome sequences are not available, given sufficient large EST sets sampled from the genomes. If a set of 50,000 ESTs is considered a large sample, then pine, moss and 12 flowering plants listed in Additional file 4 have enough ESTs for the estimation. The comparison of the number of WRKY genes identified from EST sets with comparable size suggests that the genomes of moss and pine seem to encode much fewer WRKY genes than evolutionarily advanced flower plants. We also compared pine with *Arabidopsis* in another analysis using ESTs from GenBank's dbEST database (as of 10/28/2002). We identified ESTs for 46 *Arabidopsis* WRKY genes but only two pine WRKY genes, although *Arabidopsis*' EST set (176,915) is less than three times bigger than pine's (60,226).

The abundance of WRKY ESTs in the total EST set is lower for pine, fern and moss than for flowering plants, as the percentage of WRKY ESTs in the total EST set for the three non-flowering plants is among the lowest [see Additional file 4]. The WRKY EST abundance in an EST dataset may be affected by the number of WRKY genes in the species and by the expression levels of WRKY genes in the cells from which ESTs were obtained. For example, WRKY EST abundance for pine is much lower than that for tomato (0.0086% : 0.3546%, or  $\sim 1 : 40$ ). The low WRKY EST abundance of pine may be partly due to fewer WRKY genes from pine than from tomato (4 : 51, or  $\sim 1 : 13$ ) [see Additional file 4]. It is also possible that pine WRKY genes are lowly expressed. For example, for a tomato WRKY gene the average EST count is  $> 10$ , but for pine it is  $< 2$ .

The identified WRKY genes were phylogenetically classified into five groups [see Additional file 4]. In six WRKY genes identified from the moss ESTs, two are homologous to Group 2\_c and three belong to Group 2\_d + 2\_e, indicating an early origin of these groups in land plants. In comparison, genes in Group 3 are only identified in the EST sets of flowering plants but not from EST data of more ancient plants, i.e., moss, fern and pine [see Additional file 4].

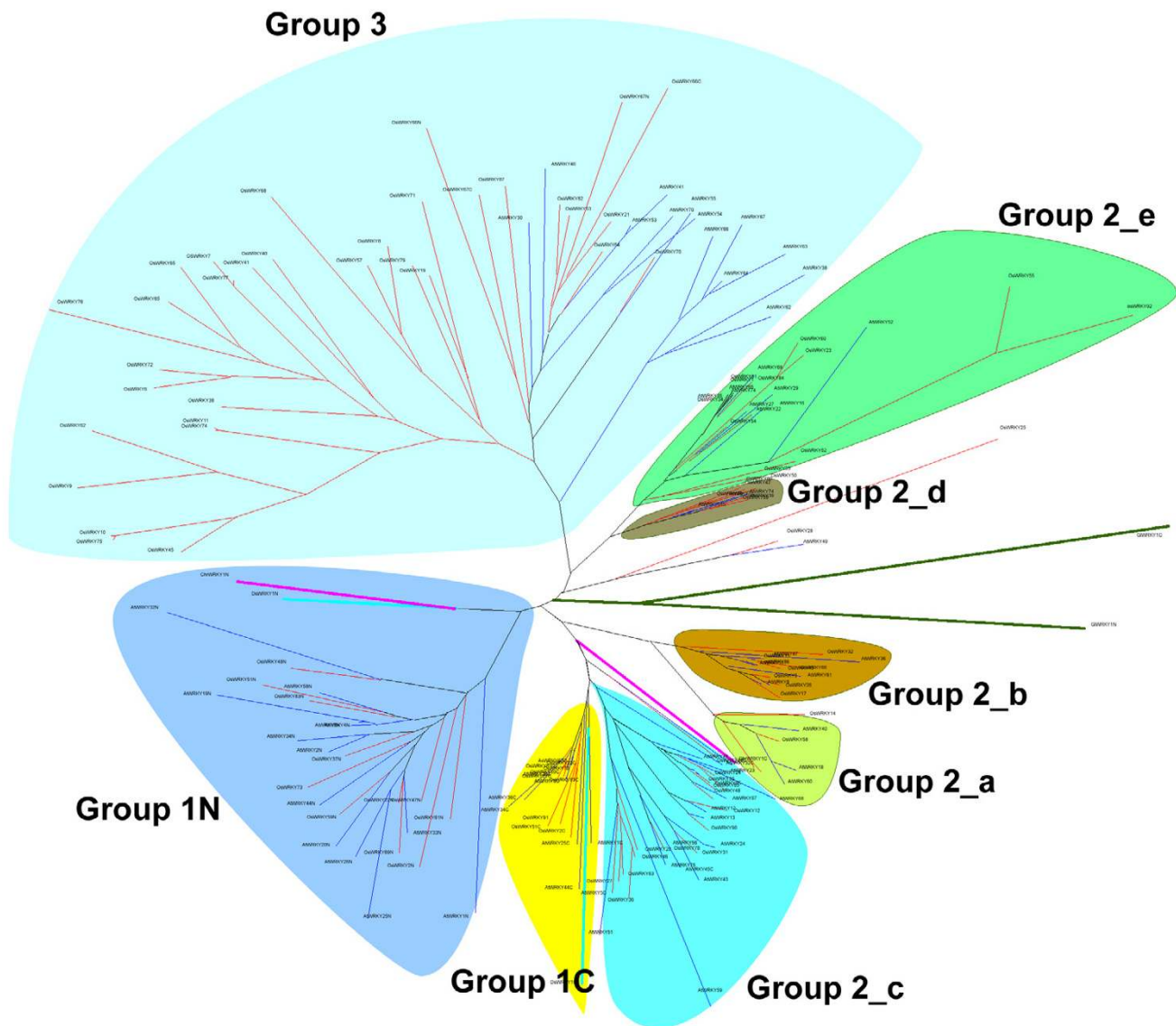
### Phylogeny of the WRKY domains

To examine the evolutionary relationships among the WRKY domains, we estimated the phylogeny by using the neighbor-joining program from PHYLIP 3.57 for the amino acid sequences of WRKY domains from *G. lamblia*, the slime mold, the green alga, *Arabidopsis* and rice. The phylogenetic relationships were also inferred with the programs of the least squares and parsimony from PAUP 4.0 for the corresponding nucleotide sequences. We also did the same analysis for the rice dataset alone. The topology of trees obtained from these analyses is essentially the same, and the neighbor-joining tree is shown in Figure 1. Group 2 domains designated by Eulgem et al. [3] are not monophyletic, but form three distinct clades. These include: 2\_a + 2\_b, 2\_c, and 2\_d + 2\_e. Moreover, Group 2\_a + 2\_b and Group 2\_c are closely related to Group 1C domains, while Group 3 is clustered with Group 2\_d + 2\_e. In addition, the rice and *Arabidopsis* WRKY trees (not shown) consistently clustered WRKY1N domains as a monophyletic subtree and all other domains as a natural clade, supporting the suggestion that Groups 2 and 3 domains are more closely related to the C-terminal domains of Group 1 genes than to the N-terminal domains [3].

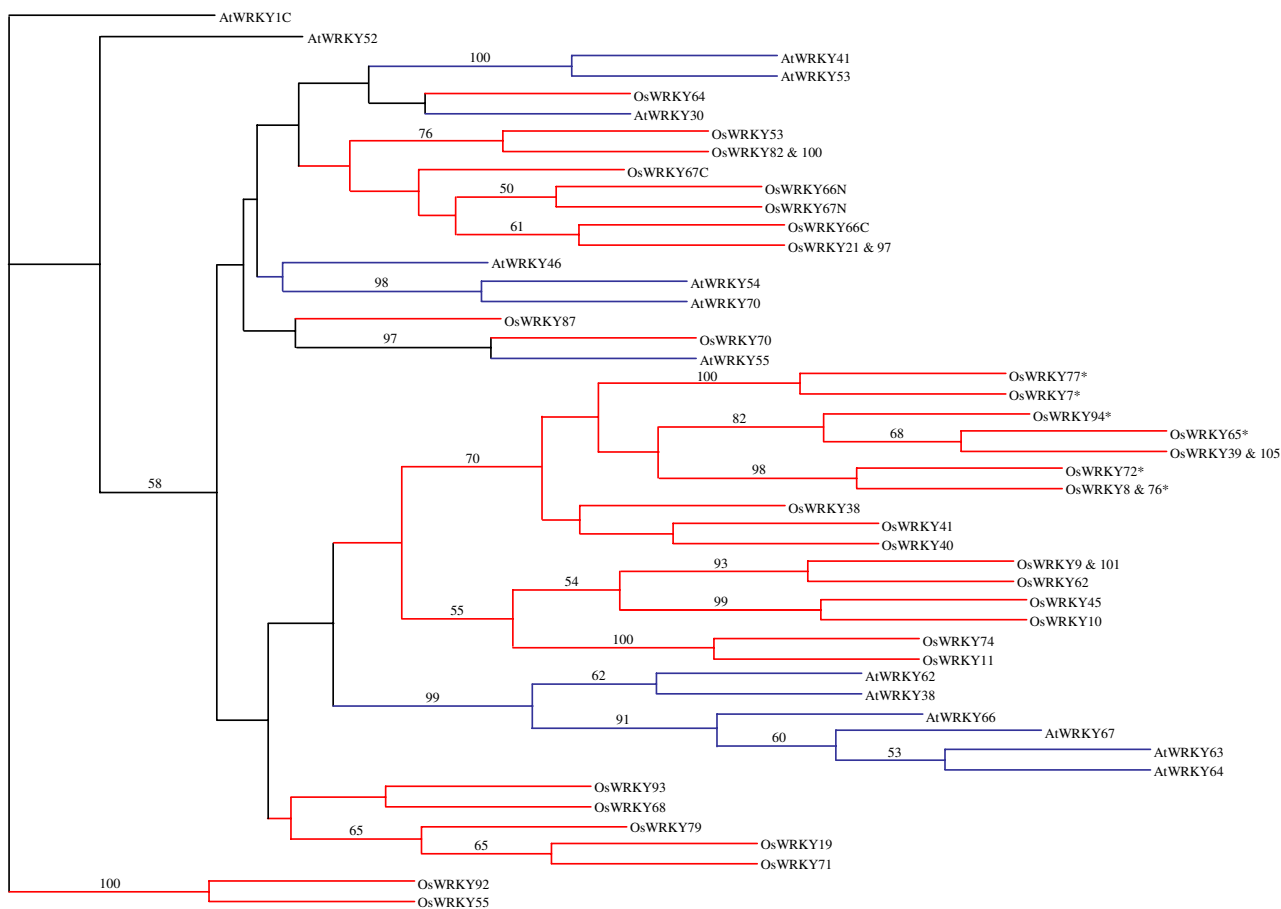
In flowering plants, genes encoding WRKY domains appear to have been duplicated independently in monocots and dicots. For Group 3 domains, three subsets each of which consists of five or more members only from rice can be distinguished from the phylogram shown in Figure 2. Similarly, six members of WRKY domains, all from *Arabidopsis*, are clustered together. Independent domain clusters of either species are also found in other WRKY subfamilies (data not shown). These results suggest that numerous duplications and diversifications for WRKY genes, particularly Group 3 genes, have occurred after the divergence of the monocots and dicots. Indeed, all rice WRKY domains with the sequence WRKYGEK (Table 1) are classified as a sub-cluster of the largest rice domain cluster in Group 3 (Figure 2), implying that multiple duplication events led to this large cluster in rice.

### Discussion

WRKY genes seem to be an innovation in eukaryota after the divergence of eubacteria – archaea – eukaryota. In eukaryotes, the WRKY genes are present in the green plants as well as in the ancient eukaryote *G. lamblia* and the mycetozoan *D. discoideum*, but not in fungi and animals. *G. lamblia* is a primitive unicellular eukaryote diverged  $\sim 1,500$  million years ago (mya) [51]. Originally thought as plant-specific [2,3], the WRKY transcription factors therefore seem to have an early origin in eukaryotes. As the mycetozoa is closely related to the fungi-animal clade [41,43], the WRKY gene(s) may have been lost prior to the divergence of fungi and animals, but



**Figure 1**  
**Unrooted phylogenetic tree of the WRKY domains.** The tree was reconstructed from the amino acid sequences using the neighbor-joining program from Phylip 3.57. Clades of WRKY domains are labelled according to the classifications of AtWRKY domains by Eulgem et al [3] who proposed three groups and five subgroups in Group 2 (a, b, c, d and e). We suggest classifying WRKY domains into five groups modified from the old system. While Groups 1 and 3 are unchanged, the original subgroup 2\_c is promoted to Group 2\_c. Subgroups 2\_a and 2\_b, and subgroups 2\_d and 2\_e are combined to form two new groups, 2\_a + 2\_b, and 2\_d + 2\_e, respectively (see text for details). WRKY domains from *G. lamblia* are represented by thick and dark-green branches; the slime mold, thick and cyan; the green alga, thick and magenta; Arabidopsis, thin and blue; and rice, thin and red.

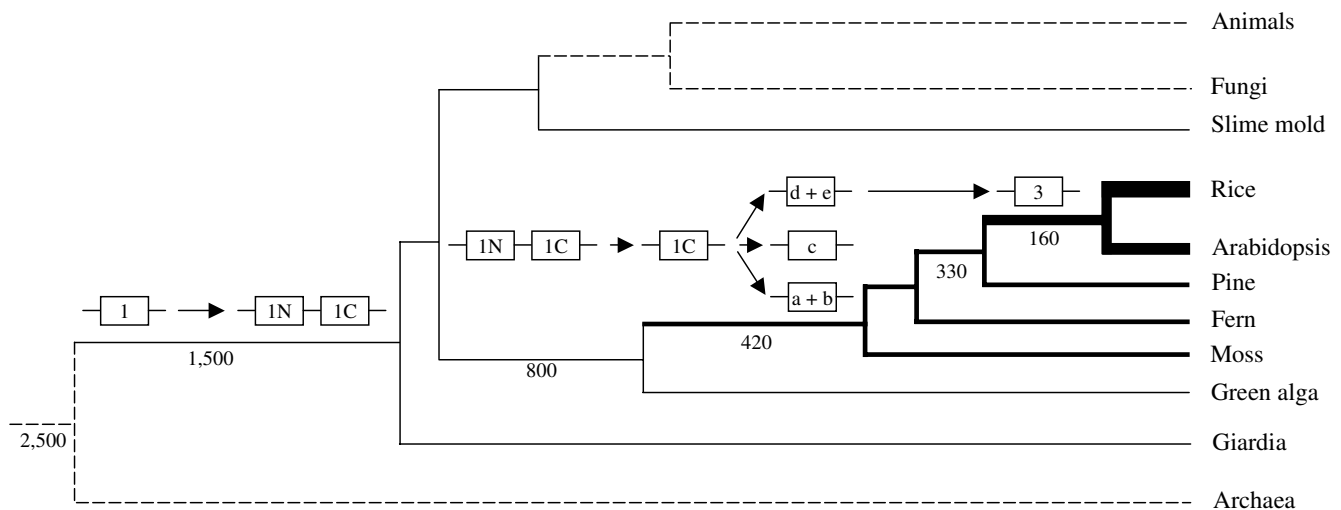


**Figure 2**  
**Phylogram of Group 3 WRKY domains from Arabidopsis (AtWRKY) and rice (OsWRKY).** The amino acid sequences were analysed with the neighbor-joining and parsimony algorithms implemented in PHYLIP 3.57. Bootstrap values 50% are indicated above the nodes for distance analysis. The C-terminal domains, AtWRKY1C, was used as the outgroup. OsWRKY proteins with the variant WRKYGEK are marked by \*.

after the split of the slime mold and fungi-animal lineages.

Based on the current data, we propose a model for the origin and evolution of the WRKY factor family (Figure 3). First, the ancestor of the descendant WRKY genes found in *G. lamblia*, the slime mold and the green alga seems to be a Group 1 gene encoding two WRKY domains. The conservation of the C- and N-terminal domains suggests that they are derived from a single domain by domain duplication. Therefore we hypothesize that the earliest WRKY factor had one WRKY domain and the gene was innovated post the first appearance of eukaryotes ~ 2,500 mya [52] but prior to the divergence leading to *Giardia* protist, ~ 1,500 mya. Second, our data and the previous results by Eulgem et al. [3] suggest that the WRKY domains of

groups 2\_a + 2\_b, 2\_c, 2\_d + 2\_e and 3 are evolutionarily close to the WRKY1C domain. It seems that Group 1 genes which contain only the C-terminal WRKY domain are ancestors of the descendant WRKY genes in other groups. The N-terminal domain in Group 1 genes may have been lost prior to the gene duplication. As the green alga may have only one WRKY gene which belongs to Group 1, the duplications and diversifications leading to other groups in plants probably occurred some time after the divergence of chlorophytes and streptophytes, ~ 800 mya [53]. Third, the domain structure conservation [see Additional file 2] and the phylogenetic analysis (Figure 1) suggest that the three distinct subsets, Groups 2\_a + 2\_b, 2c, 2\_d + 2\_e, may be independently evolved from the Group 1 genes which have only the C-terminal domain. In addition, Group 3 genes appear to share a common ancestor



**Figure 3**

**Model of the origin and duplications of WRKY gene family.** The phylogenetic tree of eukaryotes using the archaea as the outgroup is modified from Baldauf and Doolittle [43] and Kenrick and Crane [50]. The solid lines correspond to branches where WRKY homologues are identified, while the thickness of the line represents the relative size of WRKY family for the branch, from the thinnest for one copy in Giardia, the slime mold and the green alga to the thickest for over 100 copies in rice. The broken lines represent branches where WRKY genes are not present or have not been identified. The WRKY gene is symbolized by the box for the WRKY domain and the lines for sequences around the domain. The text in the box indicates the group the WRKY domain belongs to (I, Group 1; IN and IC, N- and C-terminal domains of Group 1 proteins; a + b: Group 2\_a + 2\_b; c: Group 2\_c; d + e, Group 2\_d + 2\_e; 3: Group 3). The major gene duplications and diversifications are shown above the branch. The number shown below the branch is the divergence time (million years ago) of its children branches. The branch length is not scaled to the evolutionary distance.

with the clade 2\_d + 2\_e. The identification of 2\_c and 2\_d + 2\_e genes in the moss EST data [see Additional file 4] suggests that the duplications of the genes in these groups predate the diversification of bryophytes, ~ 420 mya [50]. Although the WRKY genes in Group 2\_a + 2\_b and Group 3 are identified only from flowering plants in the current data, the origin of these genes seems to have occurred prior to the divergence of monocots and dicots, because the characteristic features of the WRKY domains in Group 3 are highly conserved in Arabidopsis and rice. In addition, multiple copies of Group 3 genes may exist in the common ancestor of monocots and dicots, since clusters with nested Arabidopsis and rice sequences are found in the group (Figure 2).

The classification of the WRKY family in Arabidopsis by Eulgem et al. [3] is not completely based on phylogenetic analysis and therefore does not necessarily reflect the evolutionary relationships among the groups. This is even apparent for the tree of AtWRKY genes built by the authors (see their Figure 3). For example, their Group 2 is not monophyletic, but seems to have several ancestors. Obvi-

ously it is necessary to implement a new classification scheme for the WRKY family to reflect the evolution of the WRKY domains. Based on phylogenetic analysis (Figure 1), conserved domain structures and intron positions of the WRKY domains [see Additional file 2, B], we suggest a new classification system modified from Eulgem et al. [3]. Instead of three groups and five subgroups under Group 2 in their classifications, genes are reorganized into five independent groups according to the phylogeny of their WRKY domains, i.e., Group 1, Group 2\_a + 2\_b, Group 2\_c, Group 2\_d + 2\_e, and Group 3. The relationship between the modified system and the original of Eulgem et al. [3] is as follows. Groups 1 and 3 are unchanged, while Group 2\_c corresponds to the subgroup c of the old Group 2. The original subgroups a and b, and d and e in the old Group 2 are combined to become two new groups, 2\_a + 2\_b, and 2\_d + 2\_e, respectively.

Our evolutionary analysis of WRKY transcription factors in this study may be important to the understanding of the overall mechanisms of biodiversity in the plant kingdom and the particular functions WRKY genes play in



plant regulatory networks. First, the comparative analysis of WRKY factors in lower and higher plants indicates that the WRKY family expands as plants evolve from simpler, unicellular to more complex, multicellular forms. Since WRKY genes seem to play important regulatory roles in plants under abiotic and biotic stresses, and flowering plants which have the largest WRKY family are dominant over non-flowering plants in their distribution on the earth, WRKY genes might be essential for much of the enhanced adaptability of flowering plants to the environment. In comparison with pine, fern and moss, WRKY ESTs of flowering plants seem to be over-represented [see Additional file 4], suggesting that the normal functions of flowering plants might depend to a greater extent on the regulatory roles of these transcription factors. It would be interesting to analyze the functions of genes in Group 3, a greatly amplified group in monocots which are most advanced in evolution and most successful in adaptability. Second, the pairs of Arabidopsis WRKY genes, AtWRKY3 and 4, 8 and 28, 11 and 17, 14 and 35, 18 and 60, 24 and 56, and 38 and 62 share similar expression patterns in response to pathogen inoculation and salicylic acid treatment [23]. Phylogenetic analysis indicates that these pairs of genes are clustered together with high bootstrap value support (data not shown). Thus, the newly duplicated WRKY genes may overlap in functions to better protect the cell or organism from deleterious effects caused by gene mutation or deletion. Moreover, a number of WRKY genes from different phylogenetic groups may be activated by the same physiological or environmental stimulus, such as bacterial pathogen attack [6,25,27,54], viral pathogen attack [23], wounding [30], or senescence [33-35]. The WRKY genes are possibly involved in multiple pathways leading to an array of physiological responses. Nevertheless, the elucidation of the evolution and duplicative expansion of the WRKY genes should provide valuable information on their functions.

## Conclusions

Originally believed to be plant-specific, WRKY transcription factor family has an early origin in eukaryotes and is also present in a slime mold which is more closely related to the lineage of fungi-animals than to plants. WRKY genes have been duplicated many times during evolution in plants, resulting in a large gene family for WRKY proteins in flowering plants. The elucidation of the evolutionary pathway of WRKY family and a new classification system we proposed based on phylogenetic analysis, conserved WRKY domain structures and intron positions should assist the functional characterization of WRKY genes.

## Methods

### Datasets

The annotated genome sequences of rice (*Oryza sativa* spp. *japonica*) (OSA1, released on 7/27/2003) and Arabidopsis (ATH1, released on 4/17/2003) were downloaded from TIGR [55]. OSA1 and ATH1 include nucleotide sequences of genes, mRNA and coding regions, peptide sequences, and the gene structure information such as the start and end of the exons in a gene. For the green alga *Chlamydomonas reinhardtii*, the genome sequence release 1.0 on 2/4/2003 was used [56]. We also downloaded *Giardia lamblia* genome sequence released on 1/1/2003 [57]. GenBank's Non-Redundant (nr), dbEST and taxonomy datasets were downloaded from National Center for Biotechnology Information (NCBI) [58]. TIGR's Gene Indices for plant species [see Additional file 4] and the slime mold *Dictyostelium discoideum* were downloaded from TIGR [59]. These Gene Indices represent non-redundant gene transcripts assembled from publicly available ESTs and annotated sequences [49]. Pfam's WRKY domain sequences (WRKY-seed) were also downloaded [60].

### WRKY gene identification

We searched 'nr' and dbEST datasets for WRKY genes in species outside the plant phyla. The dbEST dataset was also used to survey the expressed WRKY genes in plant species. We aligned the sequences in the datasets with WRKY-seed using BLAST programs [61]. To determine the taxonomical distribution of WRKY genes from the BLAST output, we constructed a database where the BLAST results, the subject sequences and their associated taxonomy information from NCBI [58] were stored. The significant hits ( $E < 10^{-4}$ ) were parsed and manually checked for the presence of the characteristic features of the WRKY domain.

To systemically catalog the WRKY genes for rice and *G. lamblia*, we searched their genome sequences with blastp and PSI-BLAST [61] using WRKY-seed as the query. For PSI-BLAST, we used the default settings for three iterations. We also searched for WRKY genes with HMMER using the global profile of the WRKY domain [60]. HMMER, a sequence analysis tool based on profile Hidden Markov models [62], is available at [63]. The search results with the threshold of  $E < 10^{-4}$  for blastp and PSI-BLAST and  $E < 0.1$  for HMMER were manually compared to remove non-WRKY hits. We also used the same strategy to identify the set of WRKY genes from the Arabidopsis genome.

To identify WRKY genes from the green alga, we first BLASTed its genome sequence against the WRKY-seed. The significantly aligned sequences ( $E < 10^{-4}$ ) were then subject to WRKY domain and gene predictions. The WRKY domain was predicted with the Pfam's DNA SEARCH

[64], a web-interface backed by the GeneWise algorithm [65]. The WRKY gene was predicted by FGENESH using the profile for monocots [66,67] and GENSCAN using the profile for maize [68,69].

We also searched ESTs and EST-assembled contigs for the identified WRKY genes of rice, the green alga, *G. lamblia* and the slime mold, using blastn. An EST- or contig-hit was accepted if the identity of the alignment was > 96% for > 400 aligned nucleotides (nt), > 97% for 300 ~ 399 nt, > 98% for 200 ~ 299 nt, > 99% for 100 ~ 199 nt, and = 100% for 50 ~ 99 nt. The alignment with < 50 nt was discarded.

### Analysis of WRKY genes

The WRKY domain boundary was defined as by Eulgem et al. [3]. The peptide sequences of the domains were aligned with ClustalX (v1.81, with default settings) [70] and the alignment was adjusted based on the conserved features of the WRKY domains. The results were then used to guide the alignment of the corresponding nucleotide sequences. The neighbor-joining algorithm implemented in PHYLIP 3.573c [71] for amino acid sequences with the pairwise distance computed under the PAM model, and the least square fit and most parsimony algorithms in PAUP\* 4.0b10 [72] for nucleotide sequences were used for phylogenetic tree reconstruction.

### Authors' contributions

LW initiated the study. YZ and LW carried out the analyses, and YZ drafted the manuscript.

### Additional material

#### Additional File 1

*WRKY genes from Giardia lamblia, Dictyostelium discoideum and Chlamydomonas reinhardtii*

Click here for file

[http://www.biomedcentral.com/content/supplementary/1471-2148-5-1-S1.pdf]

#### Additional File 2

*Multiple alignments, domain classification and sequence conservation patterns of WRKY domains from rice (OsWRKY), Arabidopsis (AtWRKY), the green alga (ChrWRKY), the slime mold (DsWRKY) and Giardia lamblia (GIWRKY)*

Click here for file

[http://www.biomedcentral.com/content/supplementary/1471-2148-5-1-S2.pdf]

#### Additional File 3

*Identified members of the WRKY superfamily in the rice genome*

Click here for file

[http://www.biomedcentral.com/content/supplementary/1471-2148-5-1-S3.pdf]

#### Additional File 4

*Survey of WRKY genes from ESTs or their assembled gene indices for 19 plants and the phylogenetic classification of the genes*

Click here for file

[http://www.biomedcentral.com/content/supplementary/1471-2148-5-1-S4.pdf]

### Acknowledgements

We thank Drs. Richard A. Dixon and Gregory D. May for critical reading of the manuscript. Financial support for this project was provided by the Samuel Roberts Noble Foundation.

### References

- Martinez E: **Multi-protein complexes in eukaryotic gene transcription.** *Plant Mol Biol* 2002, **50**:925-947.
- Riechmann JL, Heard J, Martin G, Reuber L, Jiang CZ, Keddie J, Adam L, Pineda O, Ratcliffe OJ, Samaha RR, Creelman R, Pilgrim M, Broun P, Zhang JZ, Ghandehari D, Sherman BK, Yu GL: **Arabidopsis transcription factors: genome-wide comparative analysis among Eukaryotes.** *Science* 2000, **290**:2105-2110.
- Eulgem T, Rushton PJ, Robatzek S, Somssich IE: **The WRKY superfamily of plant transcription factors.** *Trends Plant Sci* 2000, **5**:199-206.
- Ishiguro S, Nakamura K: **Characterization of a cDNA encoding a novel DNA-binding protein, SPFI, that recognizes SP8 sequences in the 5' upstream regions of genes coding for sporamin and beta-amylase from sweet potato.** *Mol Gen Genet* 1994, **244**:563-571.
- de Pater S, Greco V, Pham K, Memelink J, Kijne J: **Characterization of a zinc-dependent transcriptional activator from Arabidopsis.** *Nucleic Acids Res* 1996, **24**:4624-4631.
- Deslandes L, Olivier J, Theulieres F, Hirsch J, Feng DX, Bittner-Eddy P, Beynon J, Marco Y: **Resistance to Ralstonia solanacearum in Arabidopsis thaliana is conferred by the recessive RRS1-R gene, a member of a novel family of resistance genes.** *PNAS* 2002, **99**:2404-2409.
- Rushton PJ, Macdonald H, Huttly AK, Lazarus CM, Hooley R: **Members of a new family of DNA-binding proteins bind to a conserved cis-element in the promoters of alpha-Amy2 genes.** *Plant Mol Biol* 1995, **29**:691-702.
- Alexandrova KS, Conger BV: **Isolation of two somatic embryogenesis-related genes from orchardgrass (Dactylis glomerata).** *Plant Sci* 2002, **162**:301-307.
- Sun C, Palmqvist S, Olsson H, Boren M, Ahlandsberg S, Jansson C: **A novel WRKY transcription factor, SUSIBA2, participates in sugar signaling in barley by binding to the sugar-responsive elements of the iso1 promoter.** *Plant Cell* 2003, **15**:2076-2092.
- Chen CH, Chen ZX: **Isolation and characterization of two pathogen- and salicylic acid-induced genes encoding WRKY DNA-binding proteins from tobacco.** *Plant Mol Biol* 2000, **42**:387-396.
- Hara K, Yagi M, Kusano T, Sano H: **Rapid systemic accumulation of transcripts encoding a tobacco WRKY transcription factor upon wounding.** *Mol Gen Genet* 2000, **263**:30-37.
- Wang ZP, Yang PZ, Fan BF, Chen ZX: **An oligo selection procedure for identification of sequence-specific DNA-binding activities associated with the plant defence response.** *Plant J* 1998, **16**:515-522.
- Yoda H, Ogawa M, Yamaguchi Y, Koizumi N, Kusano T, Sano H: **Identification of early-responsive genes associated with the hypersensitive response to tobacco mosaic virus and characterization of a WRKY-type transcription factor in tobacco plants.** *Mol Genet Genomics* 2002, **267**:154-161.
- Ashida Y, Nishimoto M, Matsushima A, Watanabe J, Hirata T: **Molecular cloning and mRNA expression of geraniol-inducible genes in cultured shoot primordia of Matricaria chamomilla.** *Biosci Biotechnol Biochem* 2002, **66**:2511-2514.
- Kim CY, Lee SH, Park HC, Bae CG, Cheong YH, Choi YJ, Han CD, Lee SY, Lim CO, Cho MJ: **Identification of rice blast fungal elic-**

- itor-responsive genes by differential display analysis. *Mol Plant Microbe Interact* 2000, **13**:470-474.
16. Rushton PJ, Torres JT, Parniske M, Wernert P, Hahlbrock K, Somssich IE: **Interaction of elicitor-induced DNA-binding proteins with elicitor response elements in the promoters of parsley PR1 genes.** *Embo J* 1996, **15**:5690-5700.
  17. Cormack RS, Eulgem T, Rushton PJ, Kochner P, Hahlbrock K, Somssich IE: **Leucine zipper-containing WRKY proteins widen the spectrum of immediate early elicitor-induced WRKY transcription factors in parsley.** *Biochim Biophys Acta* 2002, **1576**:92-100.
  18. Pnueli L, Hallak-Herr E, Rozenberg M, Cohen M, Goloubinoff P, Kaplan A, Mittler R: **Molecular and biochemical mechanisms associated with dormancy and drought tolerance in the desert legume *Retama raetam*.** *Plant J* 2002, **31**:319-330.
  19. Lambardi MR: **In silico differential display of defense-related expressed sequence tags from sugarcane tissues infected with diazotrophic endophytes.** *Genet Mol Biol* 2001, **24**:103-111.
  20. Huang T, Duman JG: **Cloning and characterization of a thermal hysteresis (antifreeze) protein with DNA-binding activity from winter bittersweet nightshade, *Solanum dulcamara*.** *Plant Mol Biol* 2002, **48**:339-350.
  21. Beyer K, Binder A, Boller T, Collinge M: **Identification of potato genes induced during colonization by *Phytophthora infestans*.** *Mol Plant Pathol* 2001, **2**:125-134.
  22. Dellagi A, Heilbronn J, Avrova AO, Montesano M, Palva ET, Stewart HE, Toth IK, Cooke DEL, Lyon GD, Birch PRJ: **A potato gene encoding a WRKY-like transcription factor is induced in interactions with *Erwinia carotovora* subsp *atroseptica* and *Phytophthora infestans* and is coregulated with class I endochitinase expression.** *Mol Plant Microbe Interact* 2000, **13**:1092-1101.
  23. Dong J, Chen CH, Chen ZX: **Expression profiles of the Arabidopsis WRKY gene superfamily during plant defense response.** *Plant Mol Biol* 2003, **51**:21-37.
  24. Eulgem T, Rushton PJ, Schmelzer E, Hahlbrock K, Somssich IE: **Early nuclear events in plant defence signalling: rapid gene activation by WRKY transcription factors.** *Embo J* 1999, **18**:4689-4699.
  25. Du LQ, Chen ZX: **Identification of genes encoding receptor-like protein kinases as possible targets of pathogen- and salicylic acid-induced WRKY DNA-binding proteins in Arabidopsis.** *Plant J* 2000, **24**:837-847.
  26. Chen W, Provart NJ, Glazebrook J, Katagiri F, Chang HS, Eulgem T, Mauch F, Luan S, Zou G, Whitham SA, Budworth PR, Tao Y, Xie Z, Chen X, Lam S, Kreps JA, Harper JF, Si-Ammour A, Mauch-Mani B, Heinlein M, Kobayashi K, Hohn T, Dangl JL, Wang X, Zhu T: **Expression profile matrix of Arabidopsis transcription factor genes suggests their putative functions in response to environmental stresses.** *Plant Cell* 2002, **14**:559-574.
  27. Chen CH, Chen ZX: **Potential of developmentally regulated plant defense response by AtWRKY18, a pathogen-induced Arabidopsis transcription factor.** *Plant Physiol* 2002, **129**:706-716.
  28. Yang PZ, Chen CH, Wang ZP, Fan BF, Chen ZX: **A pathogen- and salicylic acid-induced WRKY DNA-binding activity recognizes the elicitor response element of the tobacco class I chitinase gene promoter.** *Plant J* 1999, **18**:141-149.
  29. Kalde M, Barth M, Somssich IE, Lippok B: **Members of the Arabidopsis WRKY group III transcription factors are part of different plant defense signaling pathways.** *Mol Plant Microbe Interact* 2003, **16**:295-305.
  30. Cheong YH, Chang HS, Gupta R, Wang X, Zhu T, Luan S: **Transcriptional profiling reveals novel interactions between wounding, pathogen, abiotic stress, and hormonal responses in Arabidopsis.** *Plant Physiol* 2002, **129**:661-677.
  31. Rizhsky L, Liang H, Mittler R: **The combined effect of drought stress and heat shock on gene expression in tobacco.** *Plant Physiol* 2002, **130**:1143-1151.
  32. Johnson CS, Kolevski B, Smyth DR: **TRANSPARENT TESTA GLABRA2, a trichome and seed coat development gene of Arabidopsis, encodes a WRKY transcription factor.** *Plant Cell* 2002, **14**:1359-1375.
  33. Robatzek S, Somssich IE: **Targets of AtWRKY6 regulation during plant senescence and pathogen defense.** *Genes Dev* 2002, **16**:1139-1149.
  34. Robatzek S, Somssich IE: **A new member of the Arabidopsis WRKY transcription factor family, AtWRKY6, is associated with both senescence- and defence-related processes.** *Plant J* 2001, **28**:123-133.
  35. Hinderhofer K, Zentgraf U: **Identification of a transcription factor specifically expressed at the onset of leaf senescence.** *Planta* 2001, **213**:469-473.
  36. Willmott RL, Rushton PJ, Hooley R, Lazarus CM: **DNase I footprints suggest the involvement of at least three types of transcription factors in the regulation of alpha-Amy2/A by gibberellin.** *Plant Mol Biol* 1998, **38**:817-825.
  37. Benson DA, Karsch-Mizrachi I, Lipman DJ, Ostell J, Wheeler DL: **GenBank.** *Nucleic Acids Res* 2003, **31**:23-27.
  38. GiardiaDB [<http://jbp.mbl.edu/Giardia-HTML/>].
  39. Roger AJ: **Reconstructing early events in eukaryotic evolution.** *Am Nat* 1999, **154**:S146-S163.
  40. Sogin ML, Gunderson JH, Elwood HJ, Alonso RA, Peattie DA: **Phylogenetic meaning of the kingdom concept: an unusual ribosomal RNA from *Giardia lamblia*.** *Science* 1989, **243**:75-77.
  41. Glockner G, Eichinger L, Szafranski K, Pachebat JA, Bankier AT, Dear PH, Lehmann R, Baumgart C, Parra G, Abril JF, Guigo R, Kumpf K, Tunggal B, Cox E, Quail MA, Platzer M, Rosenthal A, Noegel AA, Barrell BG, Rajandream MA, Williams JG, Kay RR, Kuspa A, Gibbs R, Suggang R, Muzny D, Desany B, Zeng K, Zhu B, De Jong P, Dingermann T, Gerisch G, Philippsen P, Schleicher M, Schuster SC, Winckler T: **Sequence and analysis of chromosome 2 of *Dictyostelium discoideum*.** *Nature* 2002, **418**:79-785.
  42. **Dictyostelium discoideum Genome Project** [<http://genome.imb-jena.de/dictyostelium/>].
  43. Baldauf SL, Doolittle WF: **Origin and evolution of the slime molds (Mycetozoa).** *PNAS* 1997, **94**:12007-12012.
  44. Manhart JR: **Phylogenetic analysis of green plant rbcL sequences.** *Mol Phylogenet Evol* 1994, **3**:114-127.
  45. An SS, Möpss B, Weber K, Bhattacharya D: **The origin and evolution of green algal and plant actins.** *Mol Biol Evol* 1999, **16**:275-285.
  46. **Chlamydomonas Resource Center** [[http://www.biology.duke.edu/chlamy\\_genome/index.html](http://www.biology.duke.edu/chlamy_genome/index.html)].
  47. Goff SA, Ricke D, Lan TH, Presting G, Wang RL, Dunn M, Glazebrook J, Sessions A, Oeller P, Varma H, Hadley D, Hutchinson D, Martin C, Katagiri F, Lange BM, Moughamer T, Xia Y, Budworth P, Zhong JP, Miguel T, Paszkowski U, Zhang SP, Colbert M, Sun WL, Chen LL, Cooper B, Park S, Wood TC, Mao L, Quail P, Wing R, Dean R, Yu YS, Zharkikh A, Shen R, Sahasrabudhe S, Thomas A, Cannings R, Gutin A, Pruss D, Reid J, Tavtigian S, Mitchell J, Eldredge G, Scholl T, Miller RM, Bhatnagar S, Adey N, Rubano T, Tusneem N, Robinson R, Feldhaus J, Macalma T, Oliphant A, Briggs S: **A draft sequence of the rice genome (*Oryza sativa* L. ssp *japonica*).** *Science* 2002, **296**:92-100.
  48. Maeo K, Hayashi S, Kojima-Suzuki H, Morikami A, Nakamura K: **Role of conserved residues of the WRKY domain in the DNA-binding of tobacco WRKY family proteins.** *Biosci Biotechnol Biochem* 2001, **65**:2428-2436.
  49. Quackenbush J, Liang F, Holt I, Pertea G, Upton J: **The TIGR Gene Indices: reconstruction and representation of expressed gene sequences.** *Nucleic Acids Res* 2000, **28**:141-145.
  50. Kenrick P, Crane PR: **The origin and early evolution of plants on land.** *Nature* 1997, **389**:33-339.
  51. Feng DF, Cho G, Doolittle RF: **Determining divergence times with a protein clock: update and reevaluation.** *PNAS* 1997, **94**:13028-13033.
  52. Gu X: **The age of the common ancestor of eukaryotes and prokaryotes: statistical inferences.** *Mol Biol Evol* 1997, **14**:861-866.
  53. O'Kelly CJ: **Flagellar apparatus architecture and the phylogeny of "green" algae: chlorophytes, euglenoids, glaucophytes.** In *Cytoskeleton of the Algae* Edited by: Menzel D. , CRC Press, Boca Raton, FL.; 1992:315-345.
  54. Asai T, Tena G, Plotnikova J, Willmann MR, Chiu WL, Gomez-Gomez L, Boller T, Ausubel FM, Sheen J: **MAP kinase signalling cascade in Arabidopsis innate immunity.** *Nature* 2002, **415**:977-983.
  55. **TIGR Eukaryotic Project ftp site** [[ftp://ftp.tigr.org/pub/data/Eukaryotic\\_Projects/](ftp://ftp.tigr.org/pub/data/Eukaryotic_Projects/)].
  56. **Chlamydomonas reinhardtii genome sequence download page** [<http://genome.jgi-psf.org/chlrel/chlrel.download.ftp.html>].

57. **Giardia lamblia genome sequence download page** [<http://jbpc.mbl.edu/Giardia-HTML/download.html>]. .
58. **NCBI ftp site** [<ftp://ftp.ncbi.nih.gov/>]. .
59. **TIGR's Plant Gene Index web site** [<http://www.tigr.org/tdb/tgi/plant.shtml>]. .
60. **Pfam's WRKY domain** [<http://pfam.wustl.edu/cgi-bin/get-desc?name=WRKY>]. .
61. Altschul SF, Thomas LM, Alejandro AS, Zhang J, Zhang Z, Miller W, Lipman DJ: **Gapped BLAST and PSI-BLAST: a new generation of protein database search programs.** *Nucleic Acids Res* 1997, **25**:3389-3402.
62. Durbin R, Eddy S, Krogh A, Mitchison G: **Biological sequence analysis: probabilistic models of proteins and nucleic acids.** , Cambridge University Press; 1998.
63. **HMMer** [<http://hmm.wustl.edu/>]. .
64. **Pfam's DNA SEARCH** [<http://www.sanger.ac.uk/Software/Pfam/dnasearch.shtml>]. .
65. **GeneWise algorithm** [<http://www.ebi.ac.uk/Wise2/>]. .
66. **FGENESH homepage** [<http://www.softberry.com/>]. .
67. Salamov AA, Solovyev VV: **Ab initio gene finding in Drosophila genomic DNA.** *Genome Res* 2000, **10**:516-522.
68. **GenScan homepage** [<http://genes.mit.edu/GENSCAN.html>]. .
69. Burge C, Karlin S: **Prediction of complete gene structures in human genomic DNA.** *J Mol Biol* 1997, **268**:78-94.
70. Thompson J, Gibson T, Plewniak F, Jeanmougin F, Higgins D: **The CLUSTAL\_X windows interface: flexible strategies for multiple sequence alignment aided by quality analysis tools.** *Nucleic Acids Res* 1997, **25**:4876-4882.
71. Felsenstein J: **Inferring phylogenies from protein sequences by parsimony, distance, and likelihood methods.** *Methods Enzymol* 1996, **266**:418-427.
72. Swofford DL: **PAUP\*. Phylogenetic analysis using parsimony (\*and other methods). Version 4.** , Sinauer Associates, Sunderland, Massachusetts; 1998.

Publish with **BioMed Central** and every scientist can read your work free of charge

*"BioMed Central will be the most significant development for disseminating the results of biomedical research in our lifetime."*

Sir Paul Nurse, Cancer Research UK

Your research papers will be:

- available free of charge to the entire biomedical community
- peer reviewed and published immediately upon acceptance
- cited in PubMed and archived on PubMed Central
- yours — you keep the copyright

Submit your manuscript here:  
[http://www.biomedcentral.com/info/publishing\\_adv.asp](http://www.biomedcentral.com/info/publishing_adv.asp)

